

4

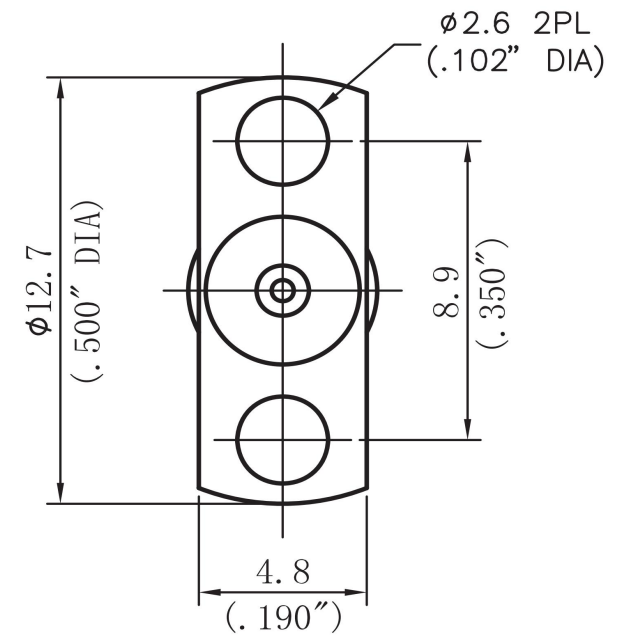
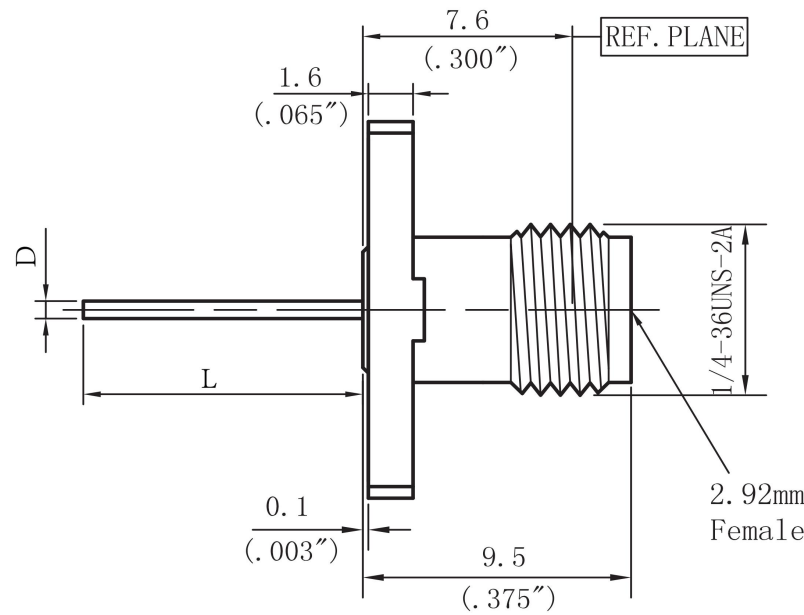
3

2

1

THIS DRAWING UNPUBLISHED.	RELEASED FOR PUBUCATION
---------------------------	-------------------------

LOC	DIST	REVISIONS					
---	---	P	LTR		DATE	DWN	APVD



- NOTES:
- ELECTRICAL:
 - IMPEDANCE: 50Ω
 - INSULATION RESISTANCE: 5000M Ω
 - FREQUENCY RANGE: DC-40 GHz
 - DIELECTRIC WITHSTANDING VOLTAGE: 1000V MAX AT SEA LEVEL
 - VSWR: ≤1.15:1
 - INSERTION LOSS: 0.25dB (MAX)

- ENVIRONMENTAL:
 - TEMPERATURE RANGE: -55° to +165°

- MATERIAL AND FINISH:
 - INNER CONDUCTOR MATERIAL: BERYLLIUM BRONZE GOLD PLATING
 - EXTERNAL CONDUCTOR MATERIAL: STAINLESS STEEL PASSIVATED
 - INSULATOR: PTFE

MODEL	ØD	L
XQY-29FD25F06-430-M	0.64mm/0.025"	10.92mm/0.43"
XQY-29FD25F06-269-M	0.64mm/0.025"	6.84mm/0.269"
Accept custom sizes and styles		

THIS DRAWING IS A CONTROLLED DOCUMENT		21/10/2021		Shenzhen xinqiyuan Technology Co., Ltd.	
		CHK			
DIMENSIONSMM		TOLERANCES UNLESS OTHERWISE SPECIFIED: ±0.1 Note: Dimensions (mm / [inch])	APVD	NAME 2.92mm Female RF Coaxial Connector	
			APPLICATION SPEC	Air line through	
			WEIGHT	SIZE A4	CAGE CODE 01021

4

3

2

1