

4

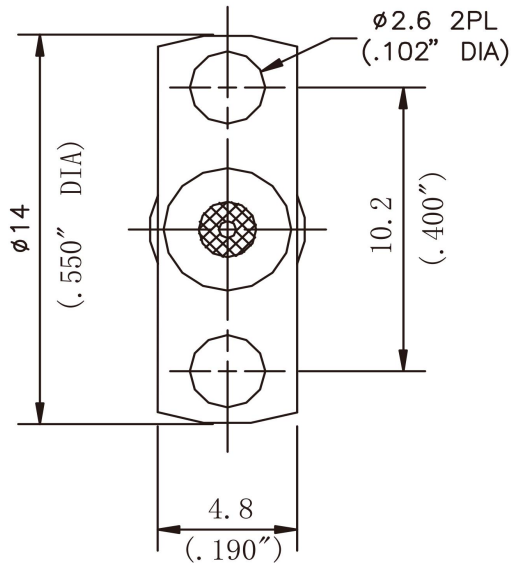
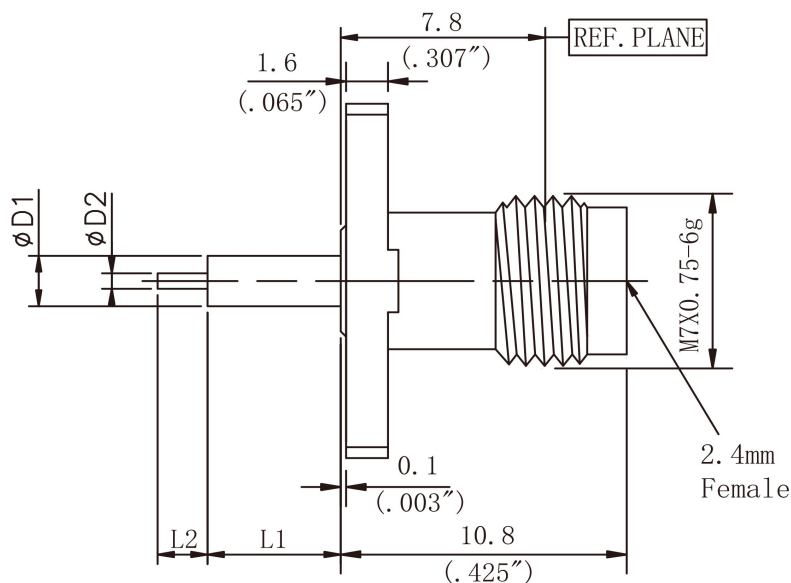
3

2

1

THIS DRAWING UNPUBLISHED.	RELEASED FOR PUBUCATION
---------------------------	-------------------------

LOC	DIST	REVISIONS					
---	---	P	LTR		DATE	DWN	APVD
		---	---	---	---	---	---



NOTES:

- 1.ELECTRICAL:
  - 1.1 IMPEDANCE: 50Ω
  - 1.2 INSULATION RESISTANCE:5000M Ω
  - 1.3 FREQUENCY RANGE: DC-50 GHz
  - 1.4 DIELECTRIC WITHSTANDING VOLTAGE: 1000V MAX AT SEA LEVEL
  - 1.5 VSWR: ≤1.15:1
  - 1.6 INSERTION LOSS: 0.25dB (MAX)

2.ENVIRONMENTAL:

- 2.1 TEMPERATURE RANGE: -55° to +165°

3.MATERIAL AND FINISH:

- 3.1 INNER CONDUCTOR MATERIAL: BERYLLIUM BRONZE GOLD PLATING
- 3.2 EXTERNAL CONDUCTOR MATERIAL: STAINLESS STEEL PASSIVATED
- 3.3 INSULATOR: PTFE

MODEL	ØD1	ØD2	L1	L2
XQY-24FP0403F05-M	1.67mm/0.158"	0.3mm/0.012"	1.4mm/0.055"	1.5mm/0.059"
XQY-24FP0503F05-M	1.67mm/0.158"	0.3mm/0.012"	3.0mm/0.118"	1.5mm/0.059"

Accept custom sizes and styles

THIS DRAWING IS A CONTROLLED DOCUMENT		21/10/2021	Shenzhen xinqiyuan Technology Co., Ltd.	
		CHK		
DIMENSIONSMM		TOLERANCES UNLESS OTHERWISE SPECIFIED: ±0.1	NAME 2.4 mm Female RF Coaxial Connector Dielectric through	
		Note: Dimensions (mm / [inch])	APVD	DRAWING NO XQY-24FP0403F05-M
			APPLICATION SPEC	
		WEIGHT	SIZE A4	CAGE CODE 01021

4

3

2

1

D

C

B

A

D

C

B

A