

4

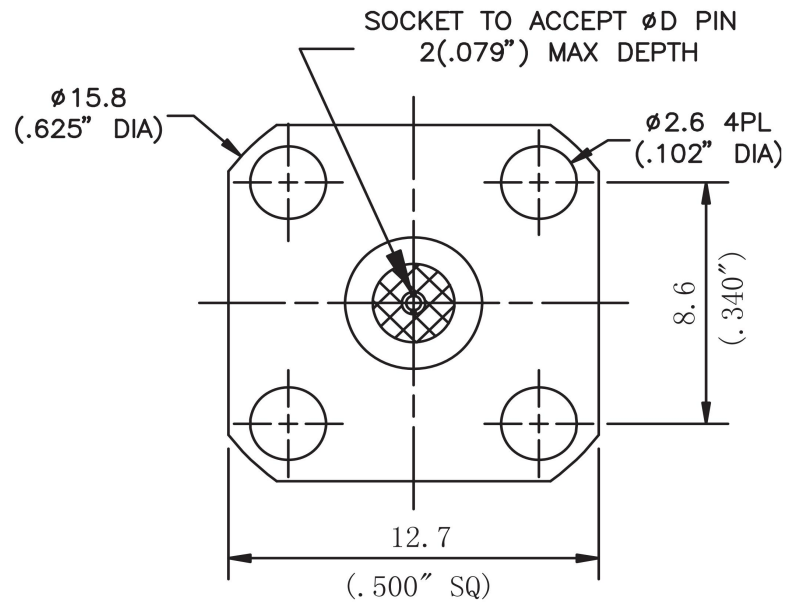
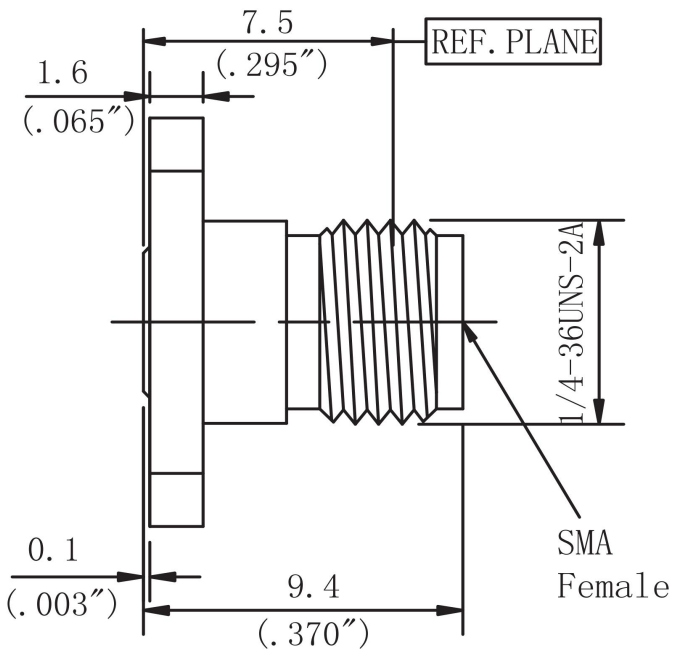
3

2

1

THIS DRAWING UNPUBLISHED.	RELEASED FOR PUBUCATION
---------------------------	-------------------------

LOC	DIST	REVISIONS					
---	---	P	LTR		DATE	DWN	APVD
		---	---	---	---	---	---


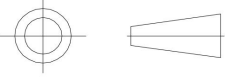


- NOTES:
- ELECTRICAL:
 - IMPEDANCE: 50Ω
 - INSULATION RESISTANCE: 5000M Ω
 - FREQUENCY RANGE: DC-27 GHz
 - DIELECTRIC WITHSTANDING VOLTAGE: 1000V MAX AT SEA LEVEL
 - VSWR: ≤1.15:1
 - INSERTION LOSS: 0.25dB (MAX)

- ENVIRONMENTAL:
 - TEMPERATURE RANGE: -55° to +165°

- MATERIAL AND FINISH:
 - INNER CONDUCTOR MATERIAL: BERYLLIUM BRONZE GOLD PLATING
 - EXTERNAL CONDUCTOR MATERIAL: STAINLESS STEEL PASSIVATED
 - INSULATOR: PTFE

MODEL	Jack diameter ØD	MODEL	Jack diameter ØD
XQY-SAFS23F01-M	0.23mm/0.009"	XQY-SAFS30F01-M	0.30mm/0.012"
XQY-SAFS38F01-M	0.38mm/0.015"	XQY-SAFS45F01-M	0.46mm/0.018"
XQY-SAFS51F01-M	0.51mm/0.020"	XQY-SAFS90F01-M	0.91mm/0.036"
Accept custom sizes and styles			

THIS DRAWING IS A CONTROLLED DOCUMENT		21/10/2021	 Shenzhen xinqiyuan Technology Co., Ltd.	
		CHK		
DIMENSIONSMM		TOLERANCES UNLESS OTHERWISE SPECIFIED: ±0.1	NAME SMA Female RF Coaxial Connector Detachable	
 Note: Dimensions (mm / [inch])		APVD	SIZE A4 CAGE CODE 01021 DRAWING NO XQY-SAFS23F01-M	
		APPLICATION SPEC		
		WEIGHT		

4

3

2

1